

Pedestrian Pallet Truck Series - MP20

Pedestrian Pallet Truck | 2000kg



Mechanical Specifications

CHARACTERISTICS	MANUFACTURER		YALE								
	MODEL DESIGNATION		MP20								
	WHEELBASE TYPE		Single Load Wheels						Tandem Load Wheels*		
	FORK LENGTH		1125			1173			1171		
	OUTSIDE FORK WIDTH		520	560	670	520	560	670	520	560	670
DIMENSIONS	1.3	Power: battery, diesel, LPG, electric mains	Battery			Battery			Battery		
	1.4	Operation: manual, pedestrian, stand, seat, orderpicker	Pedestrian			Pedestrian			Pedestrian		
	1.5	Load capacity	2000			2000			2000		
	1.6	Load centre	600			600			600		
	1.7	Load distance, centre of drive axle to fork	893			942			896		
	1.8	Wheelbase (Raised)	1303			1352			1304		
WEIGHTS	2.1	Unladen weight (with battery)	528			530			530		
	2.2	Axle loading with load, front/rear	1058/1468			1060/1470			1060/1470		
	2.3	Axle loading without load, front/rear	398/128			400/130			400/130		
WHEELS & TYRES	3.1	Tyres: rubber, polyurethane, Vulkollan front/rear	Poly/Poly			Poly/Poly			Poly/Poly		
	3.2	Tyre size, front	Ø 230x75			Ø 230x75			Ø 230x75		
	3.3	Tyre size, rear	Ø 85x110			Ø 85x110			Ø 85x110		
	3.4	Additional wheels (dimensions)	Ø 100x40			Ø 100x40			Ø 100x40		
	3.5	Wheels, number front/rear (x = driven)	1x + 2	2		1x + 2	2		1x + 2	4	
	3.6	Track width, front	b ₁₀ (mm) 461			461			461		
3.7	Track width, rear	(b ₁₁ (mm) 350 390 500			350 390 500			350 390 500			
DIMENSIONS	4.15	Lowered height	h ₁₃ (mm) 83			83			83		
	4.19	Overall length	l ₁ (mm) 1703			1751			1749		
	4.2	Length to face of forks	l ₂ (mm) 578			578			578		
	4.21	Overall width	b ₁ /b ₂ (mm) 712			712			712		
	4.22	Fork dimensions	s/e/l (mm) 64x170x1125			64x170x1173			64x170x1171		
	4.25	Outside fork width	b ⁵ (mm) 520 560 670			520 560 670			520 560 670		
	4.32	Ground clearance centre of wheelbase	m ₂ (mm) 21			21			21		
	4.33	Aisle width with pallets 1000x1200mm wide	Ast (mm) 1869			NA			NA		
	4.34	Aisle width with pallets 800x1200mm long	Ast (mm) NA			2068			2066		
	4.35	Turning radius	W ₁ (mm) 1562			1610			1562		
4.4	Lift height	h ₃ (mm) 130			130			130			
4.9	Height of tiller arm in drive position min/max	h ₁₄ (mm) 829/1288			829/1288			829/1288			
PERFORMANCE	5.1	Travel speed with/without load	j = km/h 6/6			6/6			6/6		
	5.2	Lift speed with/without load	m/s 0.04/0.05			0.04/0.05			0.04/0.05		
	5.3	Lowering speed with/without load	m/s 0.09/0.04			0.09/0.04			0.09/0.04		
	5.7	Gradeability with/without load	% 10/15			10/15			10/15		
	5.8	Max gradeability with/without load	% 14.5/20			14.5/20			14.5/20		
MOTOR	5.1	Service brake	Electric			Electric			Electric		
	6.1	Drive motor; S2 60 minute rating	kW 1.25			1.25			1.25		
	6.2	Lifting motor; S3 15% rating	kW 1.2			1.2			1.2		
	6.3	Battery DIN 43531/35/36 A, B, C, no	B			B			B		
	6.4	Battery voltage/capacity at 5 hour rate	V/Ah 24/230			24/230			24/230		
	6.5	Battery weight +/-5%	kg 212			212			212		
6.6	Energy consumption according to VDI cycle	kWh/h 0.384			0.384			0.384			
OTHER	8.4	Sound level at the driver's ear according to DIN 12 053	dB(A) <70			<70			<70		



* Option only.

Standard Features & Options

STANDARD

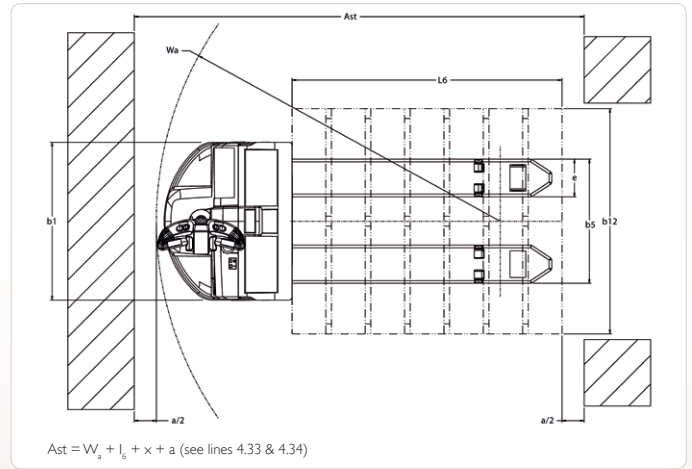
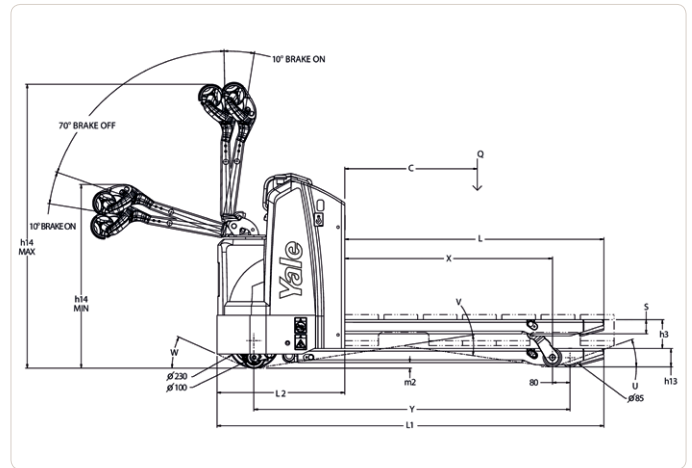
MP20 PEDESTRIAN PALLET

- 24 Volt
- AC Traction Control
- 1125 and 1173mm Long Forks
- Battery Compartment 218mm
 - Battery Size LxVxH (212x624x627)
- 670mm Fork Spread
- Lift Motor Time-Out at Full Height
- Operating Temperatures: 0 to 49°C
- Flush Pallet Stop
- Electromagnetic Park Brake with Service Override
- Regenerative Braking
- Mold-On Polyurethane Drive Tyre (230x75)
- Adjustable Casters (100x40)
- Impact-Resistant, Ergonomically Designed, Mid-Mount Control Handle with Cushioned Return Spring
- Direction Reversing Switch
- Creep Speed "Turtle" Button
- Three User Selectable Performance Modes
- Hour Meter and Battery Discharge Indicator with Lift Interrupt

OPTIONAL

AVAILABLE OPTIONS INCLUDE

- Tandem Load Wheels with 1171mm Fork Lengths
- Fork Spread
 - 520mm Fork Spread
 - 560mm Fork Spread
- Vulkollan Load Wheel
- Load Backrest
 - 1219mm H
 - 1524mm H
- Battery Compartment 290mm



Yale® Dealers

Contact your nearest Yale® Dealership by visiting www.yale.com



/Yaleasiapacific



@Yale_AP

Contact your local Yale® Dealer



Safety. This truck conforms to the current EU requirements. Specification is subject to change without notice.




Yale Asia Pacific

1 Bullecourt Avenue, Milperra NSW, Australia 2214

Tel: +61 (2) 9795 3800 Fax: +61 (2) 9792 8484

www.yale.com

Yale is a registered trademark. PEOPLE. PRODUCTS. PRODUCTIVITY is a trademark in the United States and certain other jurisdictions.  is a registered copyright of Yale Materials Handling Corporation. © Yale Asia Pacific 2013. All rights reserved. Printed in Australia. Specifications and details in this brochure are subject to change without prior notification.

Yale 
People. Products. Productivity.™

BR0000019/V1.0