

# FB Electric Counterbalanced Forklift Series

FBI5-40PYE, FBI5-25PGYE | 1,500kg - 4,000kg



# About Yale

Yale® Materials Handling Corporation has over 80 years' global experience and strong representation at over 30 locations throughout the Asia-Pacific region. It is part of the NACCO Materials Handling Group, one of the largest producers of lift trucks worldwide.

Yale® provides a full line of high-quality, high-performance lift trucks including electric, gas, LP-gas and diesel powered lift trucks; narrow aisle, very narrow aisle and motorized hand trucks. Its long history of innovation has included introduction of the industry's first battery powered low lift platform truck, the first fluid coupling transmission and the first hypoid drive axle.

As a result, Yale® has an extensive product range from 1,000kg capacity warehouse trucks to heavy-duty internal combustion driven models that can handle up to a 16,000kg load. These products provide the muscle for over 600 end-user applications in more than 600 diverse industries.



Why work hard  
when you can  
work smart!

The new Yale FB series of battery  
electric lifttrucks allows you to  
move more pallets...  
using less power...  
in less time!



## Standard Features:

- Load backrest
- Fully adjustable seat
- Electro-hydraulic steering
- Seat mounted hydraulic controls
- Self cancelling indicators
- Headlights
- Headlight warning
  - A buzzer will sound if the headlights are left on when the key switch is turned off
- Multi function display module
- Three power modes:
  - Economy Mode
  - Power Mode
  - "My Mode"
- Auto Power-Off function
  - After a preset period, the truck will automatically turn itself off.
- Soft Landing Lift Cylinder
  - The speed of the carriage is reduced as the carriage approaches ground level. This avoids collision and unnecessary noise and heel wear to the fork.
- Weatherproofing to IP53
- Booklet holder for operator's manual
- Storage compartment for a binder and pens

## Special Features:

### (3 to 4 ton model)

- Four power modes:
  - Economy mode
  - Power mode
  - Hyper mode
  - My mode
- In-built "Hyper Smart" solid-state rapid charger

## Options:

- On-demand power steering with synchroniser (standard on 3 to 4 ton models)
- Full suspension seat
- Individual keypad entry for the operator
- Integral sideshift
- Freezer construction
- Battery roller available on large battery chassis models

### In a range of capacities to suit all your materials handling needs

Model		FB1PYE	FB18PYE	FB20PYE	FB25PYE	FB30PYE	FB35PYE	FB40PYE
<b>Capacity</b>	Kg	1500	1750	2000	2500	3000	3500	4000
<b>Load Centre</b>	mm	500	500	500	500	500	600	600
<b>Voltage</b>	V	48x525/5	48x525/5	48x700/5	48x700/5	72x700/5	72x600/5	72x700/5

Model		FB15PGYE	FB18PGYE	FB20PGYE	FB25PGYE
<b>Capacity</b>	Kg	1500	1750	2000	2500
<b>Load Centre</b>	mm	500	500	500	500
<b>Voltage</b>	V	48x525/5	48x525/5	48x700/5	48x700/5

Note! FB-PGYE model features the large battery chassis.



# The Yale FB Series is packed full of Smarts

## Smart Driving & Load Shifting

AC motors with smart controllers provide ideal power and torque for infinite control of traction and hydraulic functions. Faster acceleration together with the precise and rapid lifting and lowering of loads means greater productivity.

## Smart Steering

Electro-hydraulic power steering increases steer angle and manoeuvrability. Faster manoeuvring and a smaller turning radius work together to lower work cycle times.

## Smart Stability

Stability has been increased through the use of Drop Battery Box (DBB) for low centre gravity; extended wheelbase for greater stability; limited swing on rear axle with low profile tyres for improved road holding. Improved stability allows the full benefit of speed and manoeuvrability to be fully and safely utilised.

## Smart Energy Conservation

High efficiency inverters and controllers ensure efficient transfer of power to the AC motors. AC technology channels power back to the battery via a highly efficient regeneration system.

The battery is charged during the following activities:

- Coasting / neutral
- Braking
- Direction change
- Load lowering

It means the truck does more work while using less energy.



## Smart Ergonomics

The steering wheel has been made smaller and slightly shifted to the left for improved posture and reduced effort. Hydraulic levers are mounted besides the operator's seat for ease of operation. This together with spacious footwell, comfortable seat, and new direction control switch means that fatigue levels for the operator are vastly reduced.

## Smart Uptime

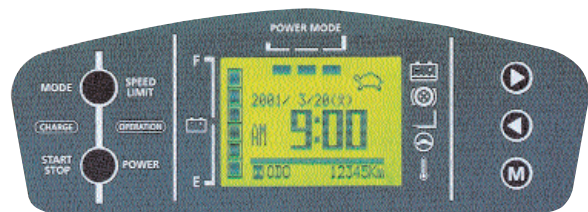
Servicing has been made simple. Hinged panels and a removable floor plate allow complete access to all vital components for easy inspection and replacement. A gas strut aids accessibility to the battery compartment and can be locked in place for battery charging and maintenance.

## Extra Smarts

Headlight warning buzzer  
Choice of power modes  
Auto power-off function  
Soft landing cylinder



Above unit is fitted with Triplex Mast



## Multi-Display Panel

LCD screen for improved visibility and ease of operation

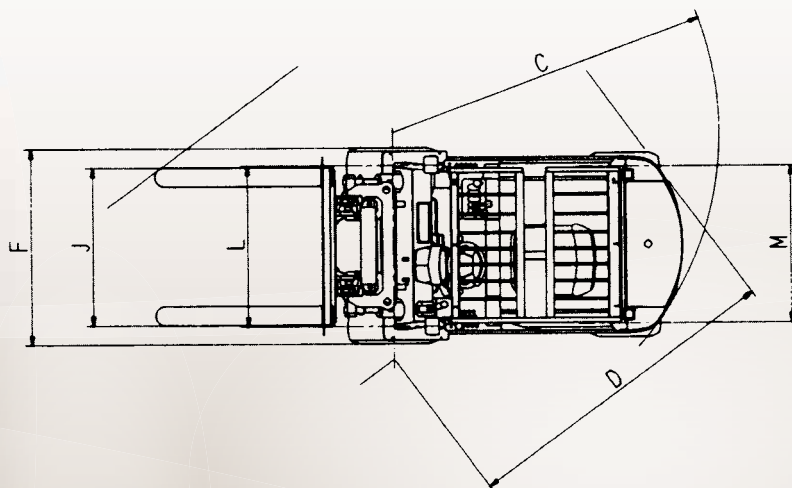
- Hour meter (total and functional)
- Travelling speed
- Distance travelled
- Digital clock
- Warning indicators
- Battery Discharge Indicator (BDI)
- Power mode selector



# Specifications

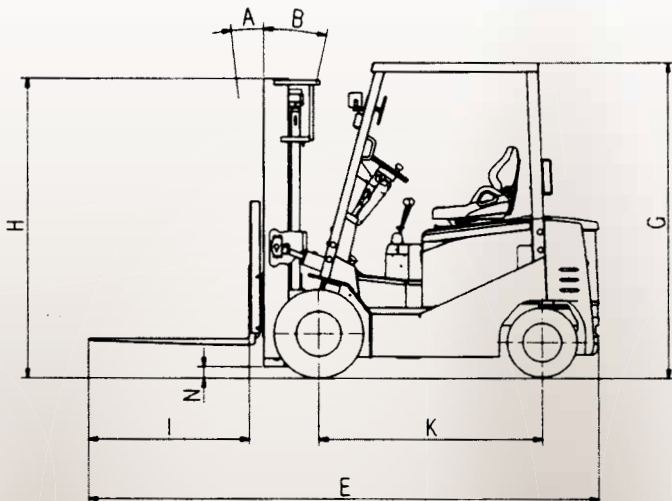
Chassis				Standard chassis					
Performance	Model		Dim	FB1PYE	FB18PYE	FB20PYE	FB25PYE	FB30PYE	
	Capacity	kg		1,500	1,750	2,000	2,500	3,000	
	With load center at	mm		500	500	500	500	500	
	Lift height	mm		3,015	3,015	3,030	3,030	3,035	
	Standard free liftm	m		145	145	155	155	160	
	Tilt of mast (Forward/backward)	degree	A/B	6/10	6/10	6/10	6/10	6/10	
	Travel speed (Standard tread)	km/h		15.0	15.0	15.0	15.0	18.0	
		km/h		13.5	13.5	13.0	12.5	17.0	
	Lifting speed	mm/s		560	560	550	550	550	
		mm/s		340	330	310	290	400	
Minimum turning radius	mm	C	1,775	1,805	1,975	2,020	2,145		
Equal aisle width	mm	D	1,755	1,755	1,895	1,950	2,030		
Dimensions	Overall length with forks	mm	E	3,000	3,035	3,195	3,395	3,560	
	Overall width	mm	F	1,100	1,130	1,265	1,265	1,265	
	Height	mm	G	2,090	2,090	2,090	2,090	2,090	
		mm	R	4,105	4,105	4,120	4,120	4,125	
		mm	H	1,995	1,995	1,995	1,995	2,030	
	Fork length	mm	I	920	920	920	1,070	1,070	
	Fork spread	mm	J	920 - 200	920 - 200	1,020 - 250	1,020 - 250	1,060-250	
	Wheelbase	mm	K	1,380	1,380	1,485	1,485	1,625	
	Tread	mm	L	885/895	925/895	1040/1015	1,040/1,015	1,040/1,015	
	Ground clearance	mm	N	110	110	120	120	120	
Unladen weight	kg		2,940	3,135	3,660	4,220	4,730		
	kg		2,295	2,490	2,880	3,170	3,395		
Tyre Data	STD	Tyre size	Front	6.00-9-10PR(I)	21x8-9-10PR(I)	23x9-10-16PR(I)	23x9-10-16PR(I)	23x9-10-20PR(I)	
		Rear	5.00-8-8PR(I)	5.00-8-10PR(I)	18x7-8-10PR(I)	18x7-8-10PR(I)	18x7-8-14PR(I)		
	DUAL	Tyre size	Front	4.50-12-8PR(I)	4.50-12-8PR(I)	6.50-10-10PR(I)	6.50-10-10PR(I)	6.50-10-10PR(I)	
		Overall width	mm	F	1,255	1,255	1,580	1,580	1,580
		Tread	mm	J	1,135	1,135	1,410	1,410	1,410
Unladen weight	kg		2,345	2,530	2,925	3,215	3,435		
Electrical Components	Control type	Drive		FET inverter					
		Hoist		FET inverter					
		Steering		IGBT chopper					
	Drive motor	Type		AC induction					
		Rated output	kw	6.5	6.5	8.7	8.7	10.7	
	Hoist motor	Type		AC induction					
		Rated output	kw	8.4	8.4	9.6	9.6	16.2	
	Power steer motor	Type		DC permanent magnet					
		Rated output	kw	0.9	0.9	0.9	0.9	1.2	
	Battery compartment	W x L x H	mm	465 x 980 x 780	465 x 980 x 780	570 x 1028 x 780	570 x 1028 x 780	710 x 1028 x 780	
Battery capacity	Minimum	Volt x Ah/hr	48 x 390/5	48 x 390/5	48 x 440/5	48 x 565/5	72 x 465/5		
	Maximum	Volt x Ah/hr	48 x 525/5	48 x 525/5	48 x 700/5	48 x 700/5	72 x 600/5		

Specifications are subject to change without notice.





		Large battery chassis			
FB35PYE	FB40PYE	FB15PGYE	FB18PGYE	FB20PGYE	FB25PGYE
3,500	4,000	1,500	1,750	2,000	2,500
600	600	500	500	500	500
3,010	3,010	3,030	3,030	3,030	3,030
150	145	155	155	155	155
6/12	6/12	6/10	6/10	6/10	6/10
18.0	18.0	15.0	15.0	15.0	15.0
17.0	16.5	13.5	13.5	13.0	12.5
480	480	550	550	550	550
370	350	330	320	310	290
2,570	2,720	1,975	1,975	2,100	2,100
2,300	2,370	1,895	1,895	1,975	1,995
3,940	4,085	3,195	3,195	3,335	3,485
1,360	1,360	1,265	1,265	1,265	1,265
2,215	2,280	2,090	2,090	2,090	2,090
4,250	4,250	4,120	4,120	4,120	4,120
2,170	2,170	1,995	1,995	2,005	2,005
1,070	1,070	920	920	920	1,070
1,200 - 300	1,200 - 300	1,020 - 250	1,020 - 250	1,020 - 250	1,020 - 250
1,855	2,000	1,485	1,485	1,625	1,625
1,130/1,140	1,130/1,140	1,040/1,015	1,040/1,015	1,040/1,015	1,040/1,015
140	140	120	120	120	120
6,155	6,380	4,195	4,195	4,425	4,435
4,825	4,840	2,880	2,880	2,875	2,885
2.50-15-16PR(I)	2.50-15-18PR(I)	23x9-10-16PR(I)	23x9-10-16PR(I)	23x9-10-16PR(I)	23x9-10-16PR(I)
7.00-12-12PR(I)	7.00-12-12PR(I)	18x7-8-10PR(I)	18x7-8-10PR(I)	18x7-8-10PR(I)	18x7-8-10PR(I)
7.00-15-10PR(I)	7.00-15-10PR(I)	6.50-10-10PR(I)	6.50-10-10PR(I)	6.50-10-10PR(I)	6.50-10-10PR(I)
1,760	1,760	1,580	1,580	1,580	1,580
1,305	1,305	1,410	1,410	1,410	1,410
4,440	4,460	2,925	2,925	2,920	2,930
FET inverter					
FET inverter					
IGBT chopper					
AC induction					
10.3	14.0	8.7	8.7	8.7	8.7
AC induction					
20.9	20.0	9.6	9.6	9.6	9.6
DC permanent magnet					
1.2	1.2	0.9	0.9	0.9	0.9
710 x 1028 x 780	800 x 1028 x 780	570 x 1028 x 780	570 x 1028 x 780	710 x 1028 x 780	710 x 1028 x 780
72 x 465/5	72 x 600/5	48 x 565/5	48 x 565/5	48 x 725/5	48 x 725/5
72 x 600/5	72 x 700/5	48 x 700/5	48 x 700/5	48 x 990/5	48 x 990/5



## Mast Specifications

	MFH#	Back Tilt	OLH@	Free Lift*	
	m m		m m	m m	
FB15-18PYE	simplex	3,515	10°	2,245	145
		4,515	6°	2,845	145
		5,015	6°	3,095	145
	duplex	3,305	10°	2,150	1,225
		3,505	10°	2,250	1,325
		4,105	6°	2,600	1,675
triplex	4,000	6°	1,820	925	
	4,500	6°	2,015	1,125	
	4,800	6°	2,120	1,225	
	5,400	6°	2,320	1,425	
	6,000	6°	2,570	1,675	
	FB20-25PYE	simplex	3,330	10°	2,170
3,530			10°	2,270	155
4,030			10°	2,620	155
duplex		4,530	6°	2,870	155
		5,030	6°	3,120	155
		2,980	10°	1,995	1,075
triplex		3,570	10°	2,370	1,450
		4,170	6°	2,720	1,800
		4,330	6°	2,040	1,120
		4,570	6°	2,120	1,200
		5,020	6°	2,270	1,350
		5,670	6°	2,520	1,600
6,020	6°	2,720	1,800		
FB30PYE	simplex	3,335	10°	2,180	160
		3,535	10°	2,280	160
		4,035	10°	2,630	160
	duplex	4,535	6°	2,880	160
		5,035	6°	3,130	160
		3,060	10°	2,130	1,075
	triplex	3,360	10°	2,280	1,225
		3,560	10°	2,380	1,325
		4,160	6°	2,730	1,675
		4,320	6°	2,050	995
FB35-40PYE	simplex	4,560	6°	2,130	1,075
		5,010	6°	2,380	1,325
		6,010	6°	2,880	1,825
	triplex	3,010	12°	2,170	150
		3,515	12°	2,425	150
FB35-40PYE	simplex	4,025	12°	2,780	150
		4,530	6°	3,035	150
		5,040	6°	3,290	150
	triplex	3,005	12°	2,100	880
		4,160	6°	2,090	870
		4,545	6°	2,215	995
		4,925	6°	2,345	1,125
6,090	6°	2,825	1,605		
FB35-40PYE	simplex	3,030	10°	1,995	155
		3,530	10°	2,270	155
		4,530	6°	2,870	155
	duplex	5,030	6°	3,120	155
		3,370	10°	2,270	1,350
		3,570	10°	2,370	1,450
	triplex	4,170	6°	2,720	1,800
		4,120	6°	1,970	1,050
		4,570	6°	2,120	1,200
		5,020	6°	2,270	1,350
FB20-25PGYE	simplex	5,320	6°	2,370	1,450
		5,670	6°	2,520	1,600
		6,020	6°	2,720	1,800
	duplex	3,330	10°	2,180	155
		3,530	10°	2,280	155
		4,030	10°	2,630	155
		4,530	6°	2,880	155
triplex	5,030	6°	3,130	155	
	2,980	10°	2,005	1,075	
	3,570	10°	2,380	1,450	
FB20-25PGYE	duplex	4,170	6°	2,730	1,800
		4,330	6°	2,050	1,120
		4,570	6°	2,130	1,200
	triplex	5,020	6°	2,280	1,350
		5,670	6°	2,530	1,600
		6,020	6°	2,730	1,800

@ : OLH, Overall Lowered Height shown are with Single Drive Tyres. Add 5mm for Dual Drive Tyres.  
\* : Free Lift with 1070mm high Load Backrest

# Yale® Dealers


Contact your nearest Yale® Dealership by visiting [www.yale.com](http://www.yale.com)



 /Yaleasiapacific


 @Yale\_AP

Contact your local Yale® Dealer

 Safety. This truck conforms to the current EU requirements. Specification is subject to change without notice.



**Yale Asia Pacific**  
1 Bullecourt Avenue, Milperra NSW, Australia 2214  
Tel: +61 (2) 9795 3800 Fax: +61 (2) 9792 8484  
[www.yale.com](http://www.yale.com)

Yale is a registered trademark. PEOPLE. PRODUCTS. PRODUCTIVITY is a trademark in the United States and certain other jurisdictions.  is a registered copyright of Yale Materials Handling Corporation. © Yale Asia Pacific 2013. All rights reserved. Printed in Australia. Specifications and details in this brochure are subject to change without prior notification.

**Yale®**  
People. Products. Productivity.™